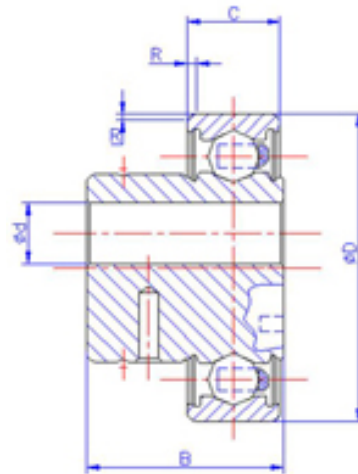


Tensioner Bearing



seleccionar	Consulta	Número de rodamiento	Boundary dimensions (mm)				Weight Relative (Kg) No.	
			d	D	B	C		
ZJL3700283/27	10.3	37	28.3	27	-	T123880.2		
ZJL8200206/30	12	82	20.6	30	0.205	256801		
ZJL520032/30	10.2	52	32	30	-	564583		
ZJL3700393/34	10.3	37	39.3	24	-	F-12135		
ZJL3600315/285	8.3	36	31.5	28.5	-	BRG45		
ZJL600026/198	8.2	60	19.8	26	-	PAT631471		
ZJL800015/245	20	80	15	24.5	-	BLG444P		
ZJL4700176/24	24.2	47	24	27.6	0.16	11-142		
ZJL62000206/28	25	62	20.6	28	0.18	-		
ZJL6700206/34-I	25	67	20.6	34	-	PTB40BD49		
ZJL600206/23	25	60	20.6	23	3	374122		
ZJL600206/27	25	60	20.6	27	0.325	374125		
ZJL7050206/24	25	70.5	20.6	24	0.46	0.37413		
ZJL6700206/24	25	67	20.6	24	0.435	374133		
ZJL7050206/28	25	70.5	20.6	28	0.505	374135		
ZJL6700206/28	25	67	20.6	28	0.48	374138		
ZJL6400206/34	25	64	20.6	34	0.47	374145		
ZJL6700206/34	25	67	20.6	34	0.475	374148		
LHV100160G.B	25.2	60.1	35.6	34	0.349	LHV100160G.B		

Tensioner Bearing

ZJL570013/24	30	57	13	24	0.2	601006
ZJL45900032	45	90	32.8	32	0.92	384093
ZJL4000255/12	8	40	25.5	12	0.121	GT60790
ZJL470034/12	8.5	47	34	12	0.222	GT60430
ZJL5200283/25	9.5	52	28.25	25	0.185	GT20040
ZJL580013/34	10	58	28.5	34	0.198	GT60180
ZJL5800285/32	10	58	28.5	32	0.25	GT60160
ZJL6200455/22	10.1	62	45.5	22	0.45	GT60420
ZJL4200294/12	10.2	42	29.4	12	0.11	GT60860
ZJL4700196/12	10.2	47	19.6	12	0.108	GT60150
ZJL550015/22	10.2	55	15	22	0.247	GT60090